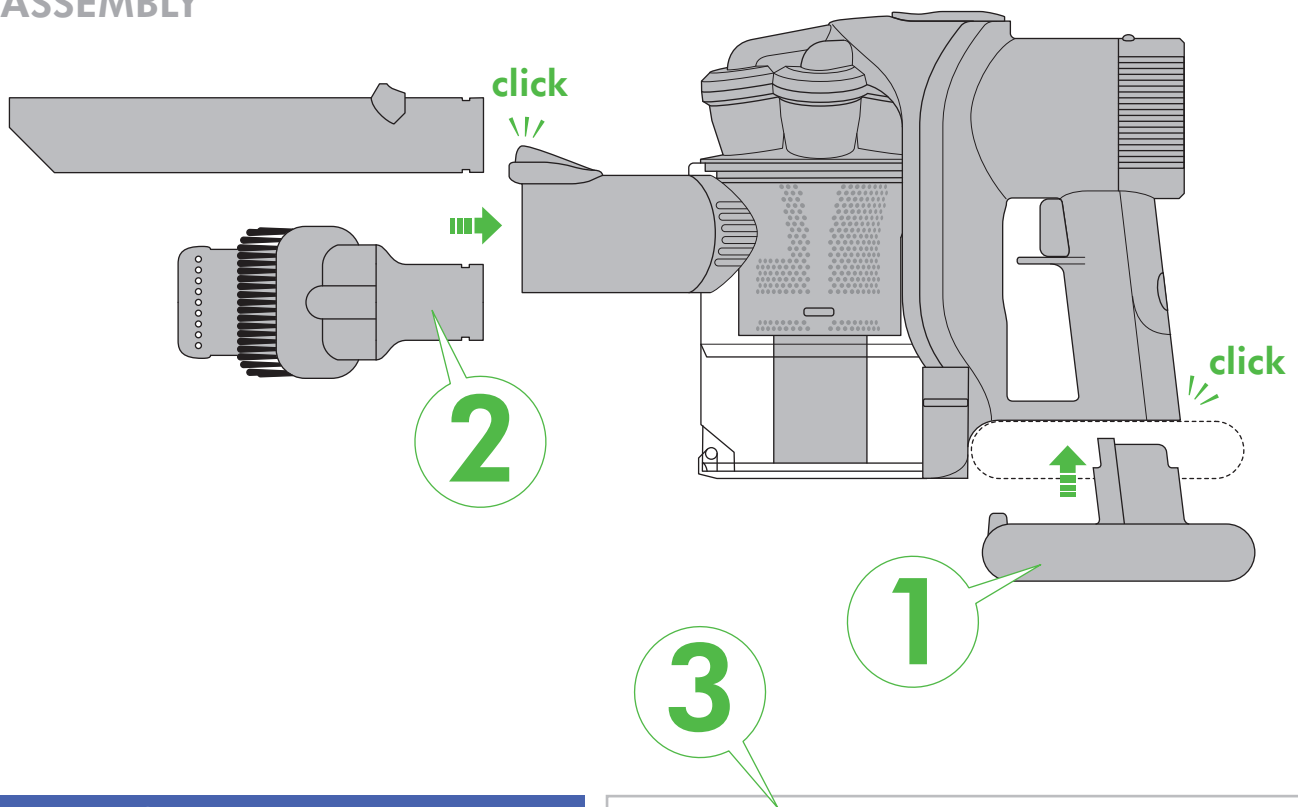


ASSEMBLY



1 month
WASH FILTER
Wash filter with cold water at least every month.

= 00:00 mins

**REGISTER
YOUR FREE
2 YEAR
GUARANTEE
TODAY**

**HIGH
POWER**
= 00:00 mins

**LOW
POWER**
= 10:00 mins

After registering your free 2 year guarantee, your Dyson handheld vacuum will be covered for parts and labour for 2 years from the date of purchase, subject to the terms of the guarantee.

If you have any query about your Dyson handheld vacuum, call the Dyson Customer Care Helpline with your serial number and details of where/when you bought the handheld vacuum. Your serial number can be found on your rating plate which is behind the clear bin.

Most queries can be solved over the phone by one of our trained Dyson Customer Care Helpline staff.

Alternatively visit www.dyson.co.uk/support for online help, general tips and useful information about Dyson.

Note your serial number for future reference

3 EASY WAYS TO REGISTER YOUR FREE 2 YEAR GUARANTEE



**REGISTER
ONLINE**

Visit our website to register your full parts and labour guarantee online.

www.dyson.com/register



**REGISTER
BY PHONE**

Call our dedicated Helpline
Open 7am–10pm.
7 days a week.

UK 0800 298 0298
IRL 01 475 7109



**REGISTER
BY MAIL**

Complete and return the form to Dyson in the envelope supplied.

IMPORTANT SAFETY PRECAUTIONS

READ ALL INSTRUCTIONS BEFORE USING THIS APPLIANCE

When using an electrical appliance, basic precautions should always be followed, including the following:

WARNING

TO REDUCE THE RISK OF FIRE, ELECTRIC SHOCK, OR INJURY:

1. Use only as described in this Dyson Operating Manual. Use only Dyson recommended attachments.
2. Do not use outdoors, on wet surfaces, or near a naked flame.
3. Do not use to pick up flammable or combustible liquids, such as petrol, or use in areas where they may be present.
4. Do not pick up anything that is burning or smoking, such as cigarettes, matches, or hot ashes.
5. Do not use without the clear bin and the filter in place.
6. Children should be supervised to ensure they do not play with the Dyson handheld vacuum.
7. Do not use with damaged cable or plug. If the Dyson handheld vacuum is not working as it should, has been dropped, damaged, left outdoors, or dropped into water, contact the Dyson Customer Care Helpline.
8. This Dyson handheld vacuum cleaner is not intended for use by persons (including children) with reduced physical, sensory or mental capabilities, or lack of experience and knowledge, unless they have been given supervision or instruction concerning use of the Dyson handheld vacuum by a person responsible for their safety.
9. Do not put any object into openings. Do not use with any opening blocked; keep free of dust, lint, hair, and anything that may reduce air flow.
10. Keep hair, loose clothing, fingers, and all parts of body away from openings and moving parts.
11. Use extra care when cleaning on stairs.
12. Use only the charger supplied with the product to recharge.
13. Do not charge the unit outdoors, in a bathroom or where it may be wet.
14. Do not handle charger, including the charger plug and the charger terminals with wet hands.
15. Do not unplug the charger by pulling on the cable. To unplug, grasp the plug, not the cable.
16. Do not incinerate the Dyson handheld vacuum even if it is severely damaged. The batteries may explode in a fire.
17. Do not use with an extension cable.
18. Unplug the charger from the supply before maintenance.

SAVE THESE INSTRUCTIONS

THIS HANDHELD VACUUM IS INTENDED FOR DOMESTIC HOUSEHOLD AND CAR USE ONLY.



Do not use near naked flame.



Do not store near heat source.

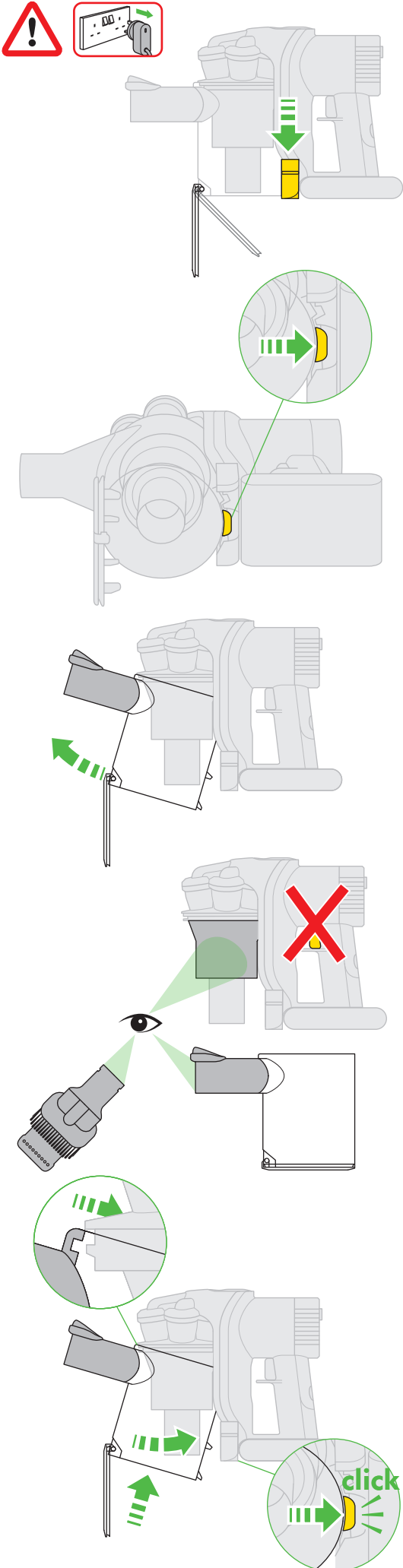


Do not pick up water or liquids.

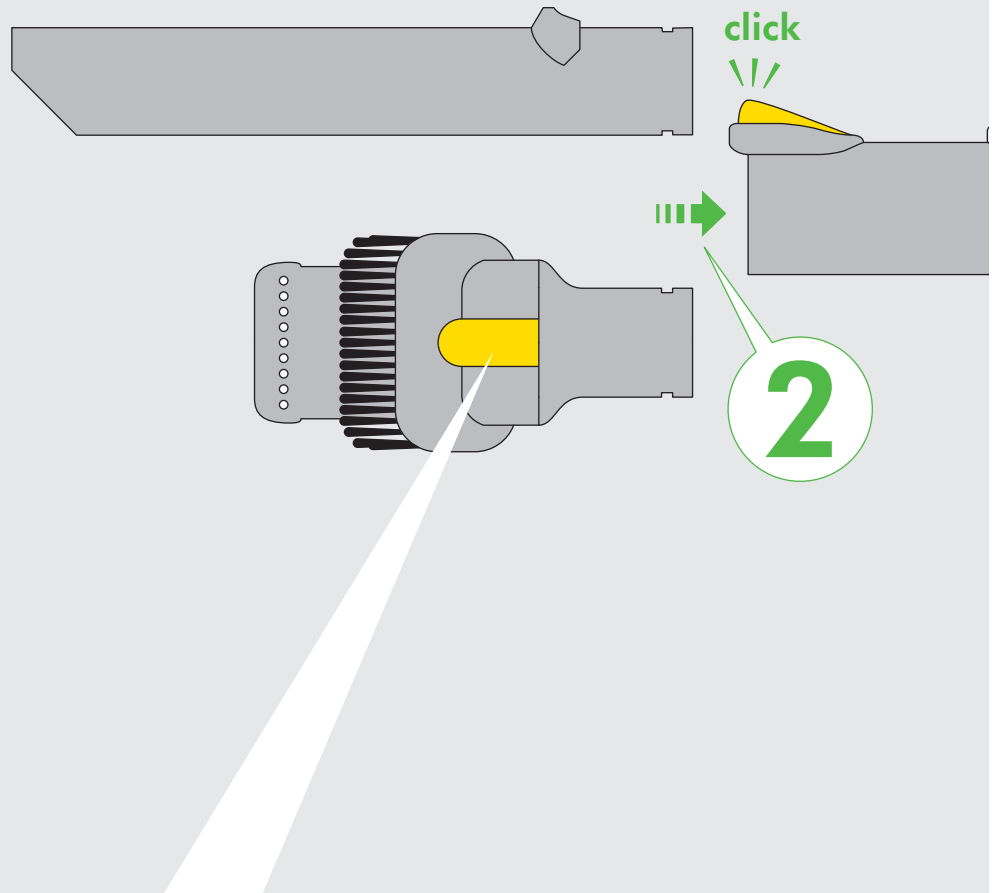
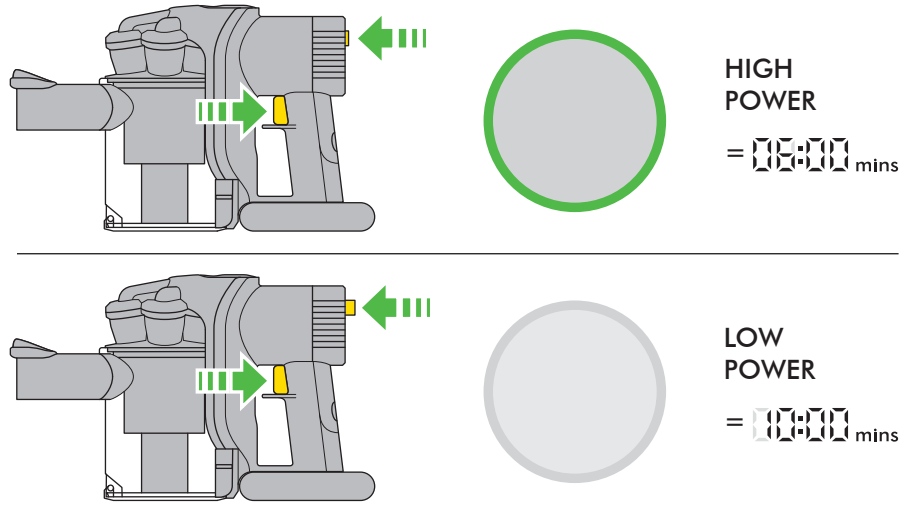


Do not pick up burning objects.

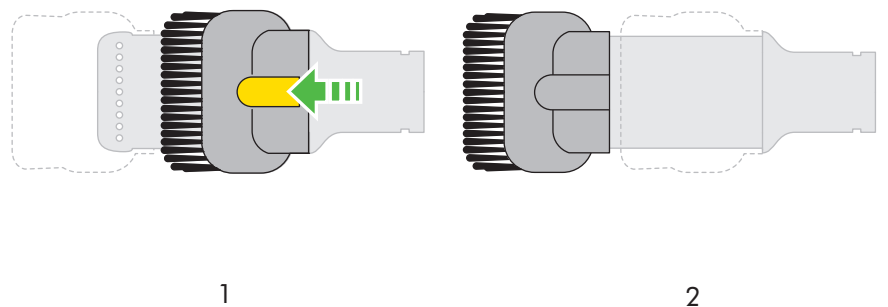
Looking for blockages

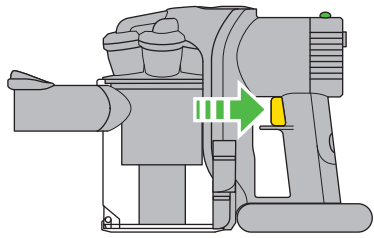


Power



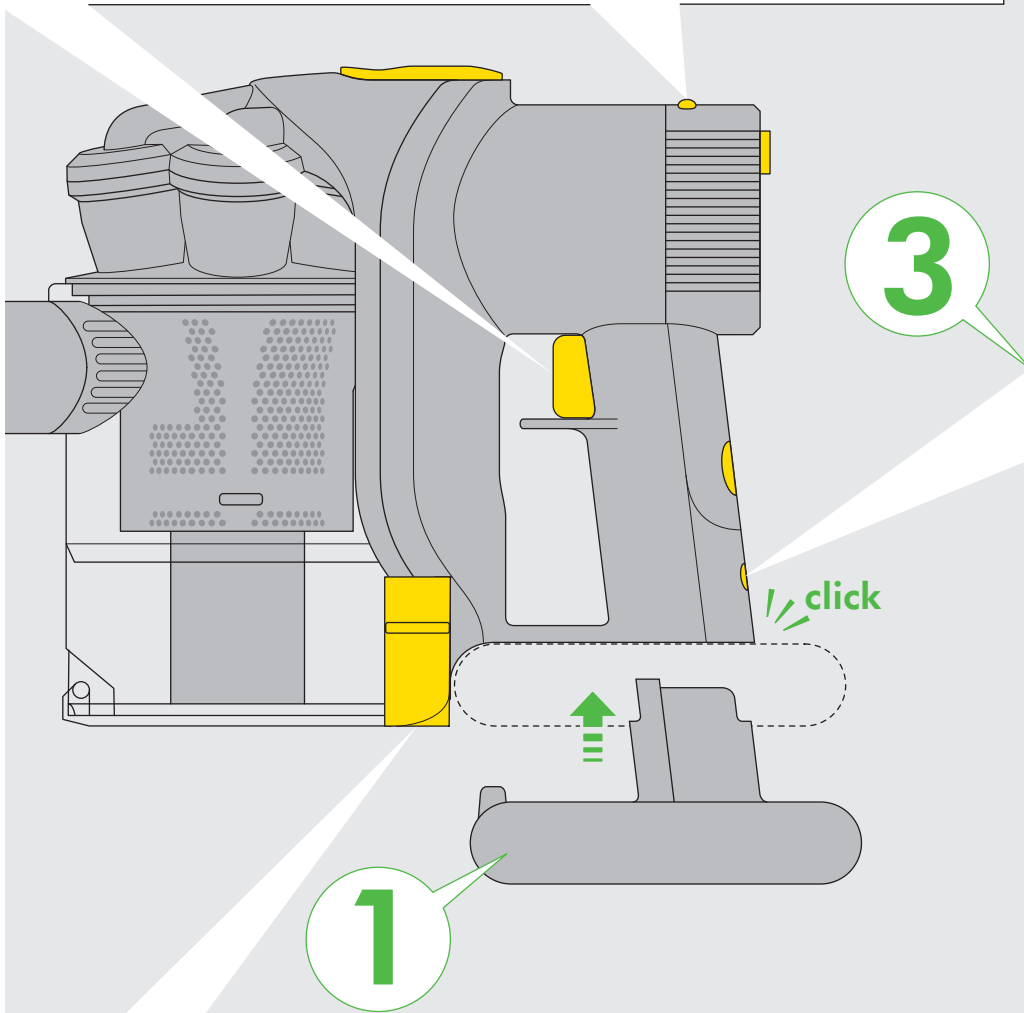
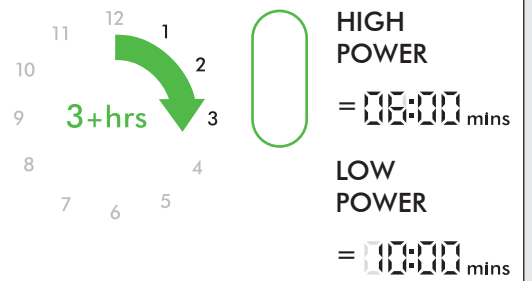
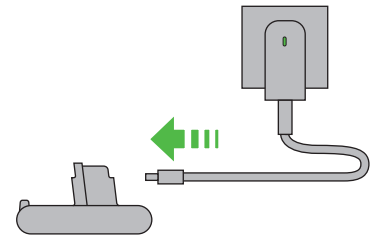
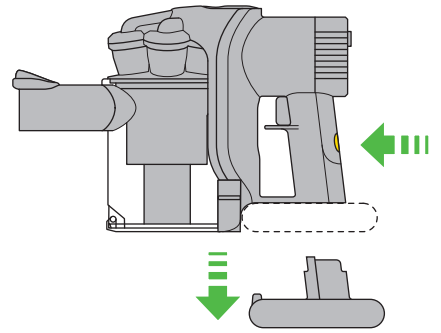
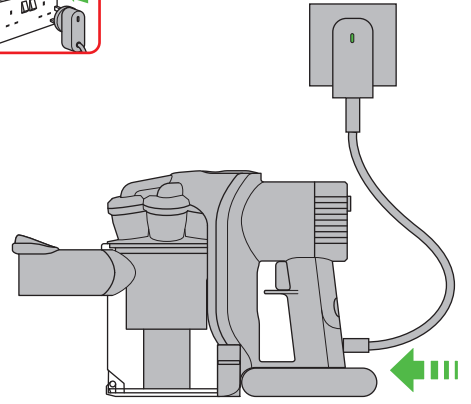
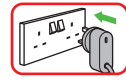
Tools



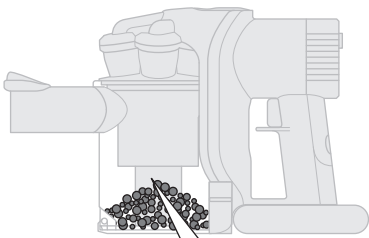


  Troubleshooting
See page 8.

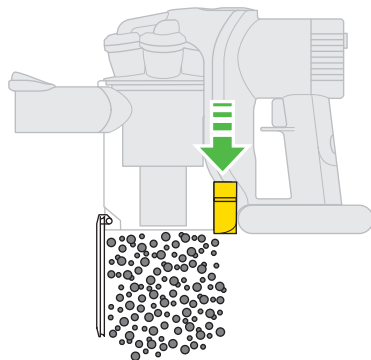
Charging



Emptying the Clear bin™



1



2

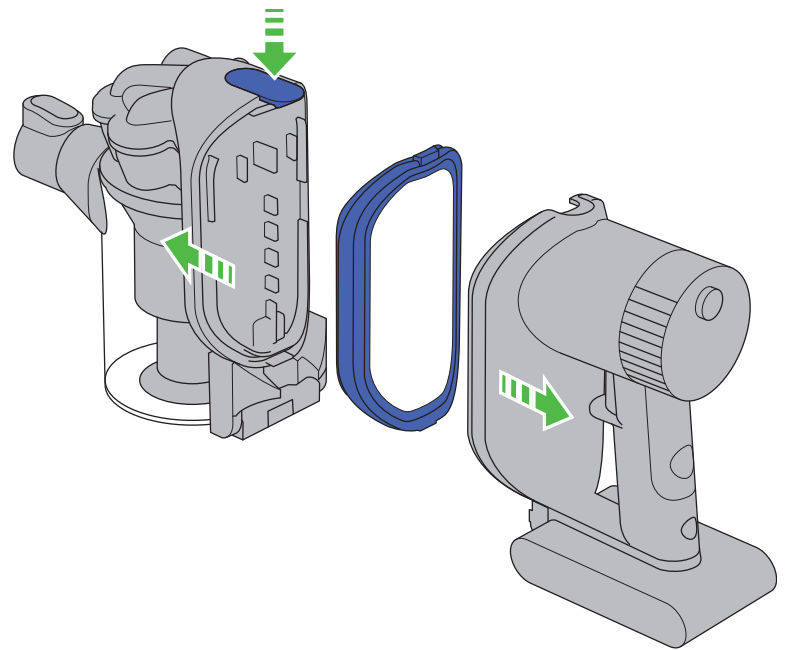
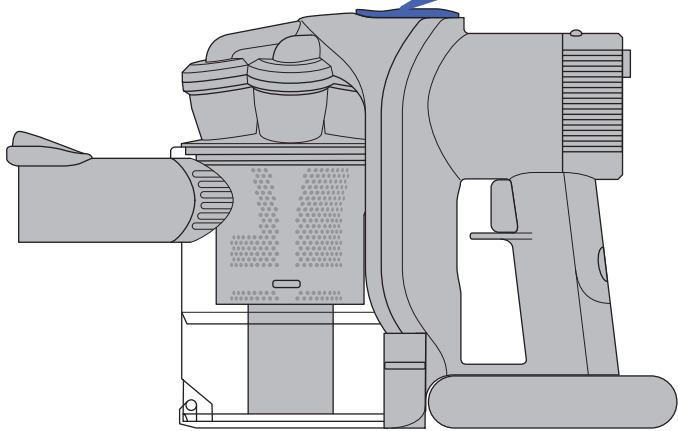
IMPORTANT! WASH FILTER



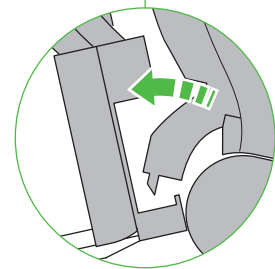
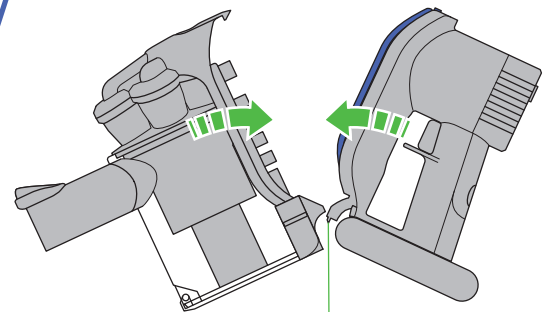
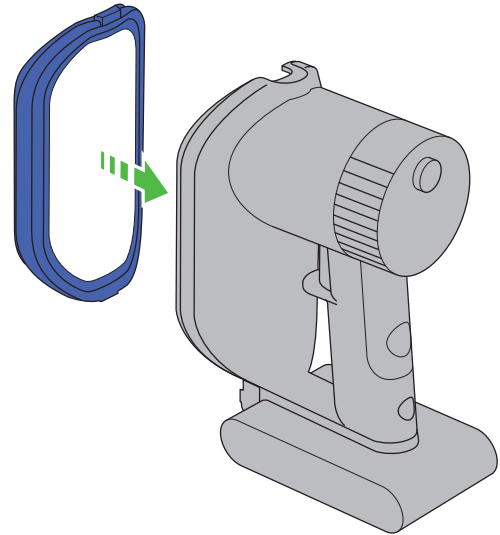
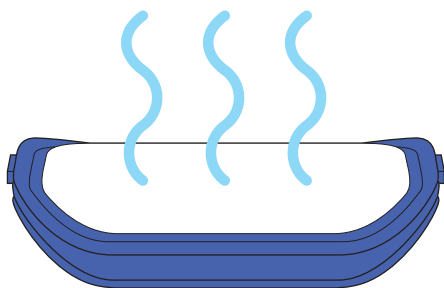
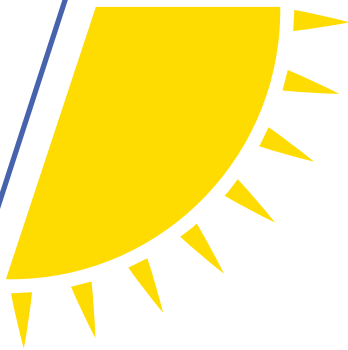
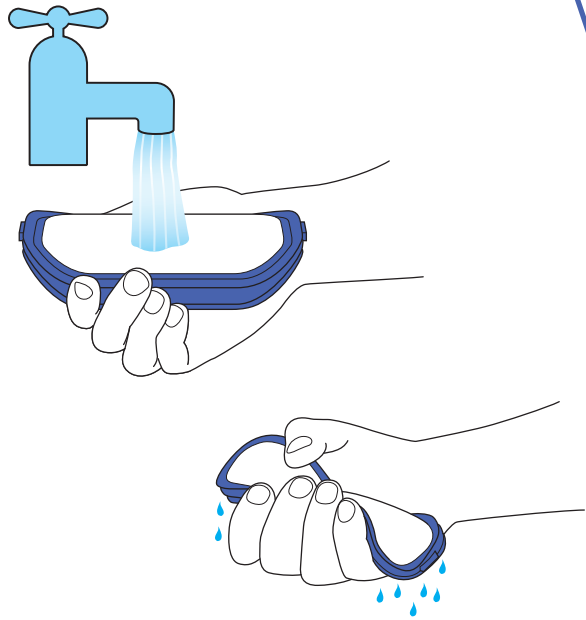
Wash filter with cold water at least every month.

IMPORTANT!

WASH FILTER



Wash filter with cold water at least every month.

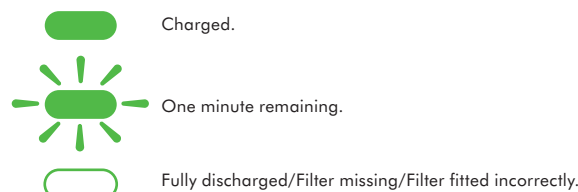


USING YOUR DYSON HANDHELD VACUUM

CAUTION:

- Dirt and debris may be released from the Dyson handheld vacuum if it is turned upside down. Ensure the Dyson handheld vacuum remains upright in use and storage.
 - Do not operate the Dyson handheld vacuum while checking for blockages.
- PLEASE NOTE:
- Do not carry out any maintenance or repair work other than that shown in this Dyson Operating Manual or advised by the Dyson Customer Care Helpline.
 - This Dyson handheld vacuum is designed for domestic indoor and car use only. Do not use it whilst the car is in motion or while driving.
 - Do not press down on the nozzle with excessive force when using the Dyson handheld vacuum as this may cause damage.
 - If the motor overheats, the Dyson handheld vacuum will cut out automatically. Leave it to cool for at least an hour and check for blockages before restarting.
 - Fine dirt such as flour or plaster dust should only be vacuumed in very small amounts.
 - Consult your flooring manufacturer's recommended instructions before vacuuming and caring for your flooring, rugs, and carpet.

TROUBLESHOOTING



EMPTYING THE CLEAR BIN

CAUTION:

- Switch off dyson handheld vacuum and disconnect from charger before emptying the clear bin. Empty as soon as the dirt reaches the level of the max mark – do not overfill. To release the dirt, push the button at the side of the clear bin as shown.

PLEASE NOTE :

- Do not use the dyson handheld vacuum without the clear bin in place.

CLEANING THE CLEAR BIN

CAUTION:

- Ensure the clear bin is completely dry before replacing.

PLEASE NOTE :

- To remove the clear bin, push the release button on the underside of the dyson handheld vacuum as shown.
- Use only cold water to clean the clear bin. Do not use detergents, polishes or air fresheners.
- Do not put the clear bin in a dishwasher.

WASHING YOUR FILTER

CAUTION:

- Switch 'OFF' and disconnect from charger before removing the filter.
- Ensure filter is completely dry before refitting to Dyson handheld vacuum.
- This Dyson handheld vacuum has one filter, located as shown. It is important to check your filter regularly and wash at least every month according to instructions, to maintain performance. Please leave to dry completely for 12 hours.

PLEASE NOTE:

- The filter may require more frequent washing if vacuuming fine dust.
- Do not use detergents to clean the filter.
- Do not put the filter in the dishwasher, washing machine, tumble dryer, oven, microwave or near an open flame.

LOOKING FOR BLOCKAGES

CAUTION:

- Switch off the Dyson handheld vacuum and disconnect from charger before looking for blockages.
- Beware of sharp objects when clearing blockages.
- Refit all parts of the Dyson handheld vacuum securely before using.

PLEASE NOTE :

- Clearing blockages is not covered by your Dyson handheld vacuum's limited warranty. If any part of your Dyson handheld vacuum becomes blocked, it may overheat and then automatically shut off.
- Unplug the Dyson handheld vacuum and leave to cool down. Clear blockage before restarting.

BATTERY SAFETY INSTRUCTIONS

Use only Dyson batteries and charging unit for this Dyson handheld vacuum. The battery is a sealed unit and under normal circumstances poses no safety concerns. In the unlikely event that liquid leaks from the battery do not touch the liquid and observe the following precautions:

Skin contact – can cause irritation. Wash with soap and water.

Inhalation – can cause respiratory irritation. Provide fresh air and seek medical advice.


Eye contact – can cause irritation. Immediately flush eyes thoroughly with water for at least 15 minutes. Seek medical attention.

Disposal – wear gloves to handle the battery and dispose of immediately following local ordinances or regulations.

CAUTION:

The battery used in this device may present a risk of fire or chemical burn if mistreated. Do not disassemble, short contacts, heat above 212° F (100° C), or incinerate. Replace battery with a Dyson battery only, use of any other battery may present a risk of fire or explosion. Dispose of used battery promptly. Keep away from children. Do not disassemble and do not dispose of in fire.

- The battery must be removed from the handheld vacuum before it is scrapped.
- The battery is to be disposed of safely.
- The handheld vacuum must be disconnected from the supply mains when removing the battery.

The symbol  on the product or on its packaging indicates that this product should not be treated as household waste. Instead it should be handed over to the applicable collection point for the recycling of electrical and electronic equipment – this may be your local civic amenity site or a facility provided by the retailer selling the product or a replacement product. By ensuring this product is disposed of correctly, you will help prevent potential negative consequences for the environment and for human health, which could otherwise be caused by inappropriate waste handling of this product. For more detailed information about recycling of this product, please contact the Dyson Customer Care Helpline, your local authority civic amenity site or the retailer selling the product or a replacement product.

GUARANTEE TERMS & CONDITIONS

DYSON CUSTOMER CARE

If you have a question about your Dyson handheld vacuum, call the Dyson Customer Care Helpline with your serial number and details of where and when you bought the vacuum cleaner, or contact us via the website. The serial number can be found on the main body of the handheld vacuum behind the clear bin. Most questions can be solved over the phone by one of our Dyson Customer Care Helpline staff.

If your Dyson handheld vacuum needs a service, call the Dyson Customer Care Helpline so we can discuss the available options. If your Dyson handheld vacuum is under guarantee, and the repair is covered, it will be repaired at no cost.

PLEASE REGISTER AS A DYSON OWNER

THANK YOU FOR CHOOSING TO BUY A DYSON HANDHELD VACUUM

To help us ensure you receive prompt and efficient service, please register as a Dyson owner. There are three ways to do this:

- Online at www.dyson.co.uk
 - By calling the Dyson Customer Care Helpline.
 - By completing and returning the enclosed form to us by mail.
- This will confirm ownership of your Dyson handheld vacuum in the event of an insurance loss, and enable us to contact you if necessary.

LIMITED 2 YEAR GUARANTEE

Terms and conditions of the Dyson 2 year limited guarantee.

WHAT IS COVERED

- The repair or replacement of your Dyson handheld vacuum (at Dyson's discretion) if your Dyson handheld vacuum is found to be defective due to faulty materials, workmanship or function within 2 years of purchase or delivery (if any part is no longer available or out of manufacture Dyson will replace it with a functional replacement part).
- Guarantee only covers the use of the Dyson handheld vacuum in UK and Ireland.

WHAT IS NOT COVERED

- Dyson does not guarantee the repair or replacement of a product as a result of: Normal wear and tear (e.g. fuse, brush bar, batteries etc).
 - Accidental damage, faults caused by negligent use or care, misuse, neglect, careless operation or handling of the Dyson handheld vacuum which is not in accordance with the Dyson Operating Manual.
 - Blockages – please refer to the Dyson Operating Manual for details of how to unblock your Dyson handheld vacuum.
 - Use of the Dyson handheld vacuum for anything other than normal domestic household purposes.
 - Use of parts not assembled or installed in accordance with the instructions of Dyson.
 - Use of parts and accessories which are not Dyson Genuine Components.
 - Faulty installation (except where installed by Dyson).
 - Repairs or alterations carried out by parties other than Dyson or its authorised agents.
- If you are in any doubt as to what is covered by your guarantee, please call the Dyson Customer Care Helpline.

SUMMARY OF COVER

- The guarantee becomes effective at the date of purchase (or the date of delivery if this is later).
- You must provide proof of delivery/purchase before any work can be carried out on your Dyson handheld vacuum. Without this proof, any work carried out will be chargeable. Please keep your receipt or delivery note.
- All work will be carried out by Dyson or its authorised agents.
- Any parts which are replaced will become the property of Dyson.
- The repair or replacement of your Dyson handheld vacuum under guarantee will not extend the period of guarantee.
- The guarantee provides benefits which are additional to and do not affect your statutory rights as a consumer.

ABOUT YOUR PRIVACY

Your information will be held by Dyson Limited and its agents for promotional, marketing and servicing purposes.

If your personal details change, if you change your mind about any of your marketing preferences or if you have any queries about how we use your information, please let us know by contacting Dyson Limited, Tetbury Hill, Malmesbury, Wiltshire, SN16 0RP England, or by calling the Dyson Customer Care Helpline on UK: 0800 298 0298 or IRL: 01 475 7109. Or you can email us at askdyson@dyson.co.uk

For more information on how we protect your privacy, please see our privacy policy on www.dyson.co.uk

PRODUCT INFORMATION

Net weight: 1.52kg

This product is protected by the following intellectual rights:

PATENTS/APPLICATIONS

CA 2544609; JP 2007-508934; US 2007-0079579; AU 2004294771;
AU 2002226556; CA 2,439,250; EP 1370172; JP 4002185; US 6991666;
AU 2002225207; EP 1361814; JP 3860541; US 7018439; AU 2001240894;
EP 1268076; JP 2003-528704; US 6,835,222; AU 2002-225232; EP 1361815;
JP 3940082; US 6,974,488; EP 1748848; JP 2007-534377;
US 2007-0175189; WO 2005/110608; WO 2008/009884; WO 2008/009891;
WO 2008/015377; WO 2008/015378; WO 2008/009886;
WO 2008/009888; WO 2008/009883; GB 2440515; GB 2440514;
GB 2440126; GB 2440109; GB 2440107.

Designs/Design Applications:

GB 3025398; GB 3025399; GB 3025400; GB 3025401; GB 3025402;
GB 3025403; GB 3025404; EU 651849.

Equivalent patents, registered designs and applications exist in other countries.

IMPORTANT!

WASH FILTER



Wash filter with cold water at least every month.



Dyson Customer Care

If you have a question about your Dyson handheld vacuum, call the Dyson Customer Care Helpline with your serial number and details of where and when you bought the Dyson handheld vacuum, or contact us via the Dyson website. The serial number can be found on the main body of the Dyson handheld vacuum behind the clear bin.

GB Dyson Customer Care
askdyson@dyson.co.uk
0800 298 0298

Dyson Ltd, Tetbury Hill, Malmesbury, Wiltshire SN16 0RP.

IRL Dyson Customer Care
irelandservice@dyson.com
01 475 7109

The Connect Agency Ltd, Unit 2, Baldonnell Business Park,
Naas Road, Co. Dublin.





GUARANTEE FORM

Date of purchase / /

Country of purchase UK IRL

Serial number

Title Surname

First name

Address

Postcode

e-mail

Telephone

Mobile

As a Dyson owner, you can hear about Dyson inventions, services and products before anyone else. If it's okay to contact you, please let us know how we may do this.

Sometimes we might ask for feedback on our ideas or invite you to try new products and services. Would it be okay if our partner companies occasionally get in touch about this?

By mail Yes No

By phone Yes No

By email Yes No

By text message Yes No

Tick box if no

3 EASY WAYS TO REGISTER YOUR FREE 2 YEAR GUARANTEE



REGISTER ONLINE

Visit our website to register your full parts and labour guarantee online.

www.dyson.com/register



REGISTER BY PHONE

Call our dedicated Helpline Open 7am-10pm. 7 days a week.

UK 0800 298 0298
IRL 01 475 7109



REGISTER BY MAIL

Complete and return the form to Dyson in the envelope supplied.

